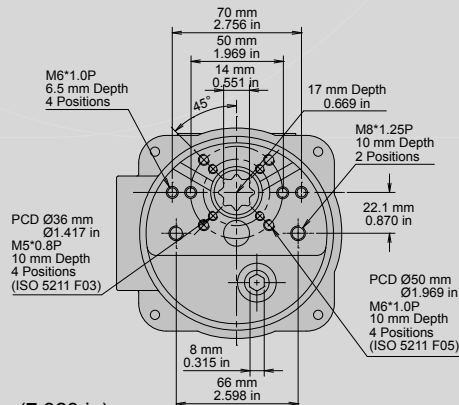
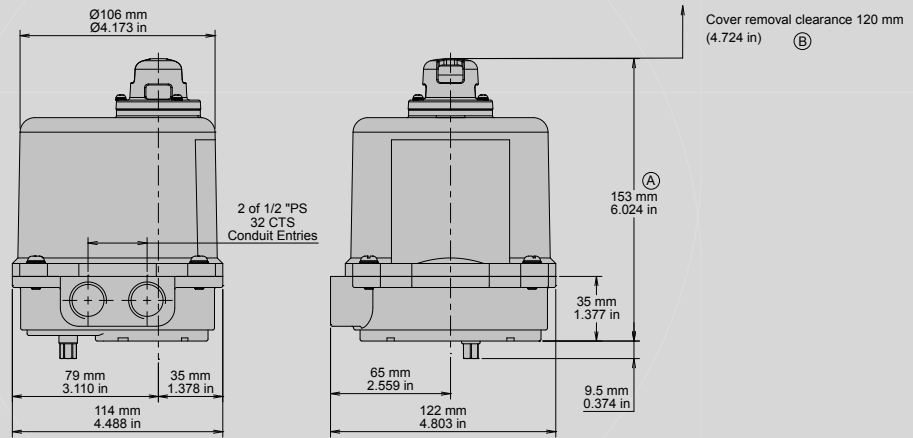




OM-1

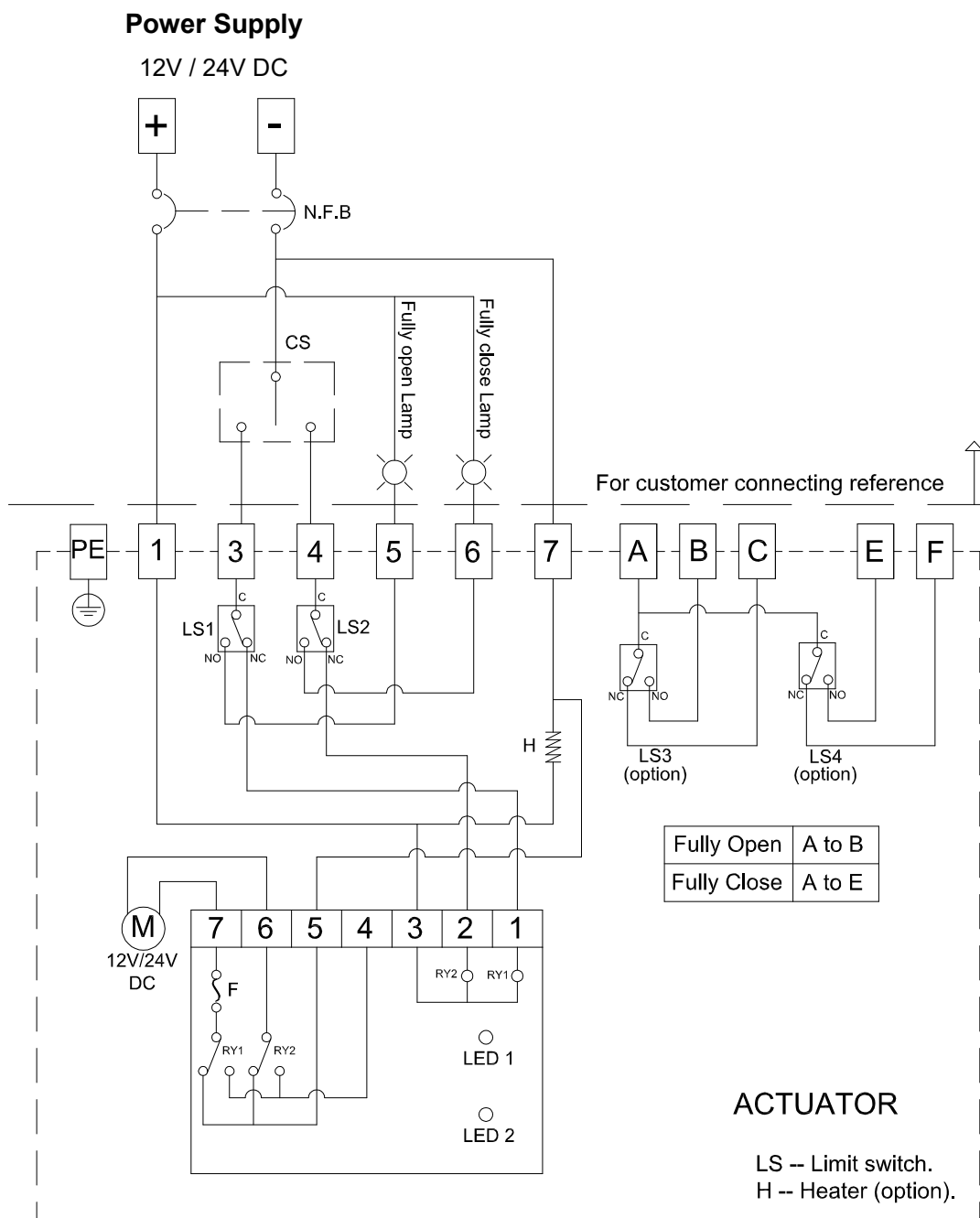


- Apply to modulating control models, \textcircled{A} 186 mm (7.323 in),
Cover removal clearance, \textcircled{B} 153 mm (6.023 in)
- No mechanical stops
- Recommended wrench: 8 mm Open-end wrench

WIRING DIAGRAM – Quarter Turn Actuator

OM-1 , OM-A , OM-A-M 12V , 24V DC

On-Off Controller



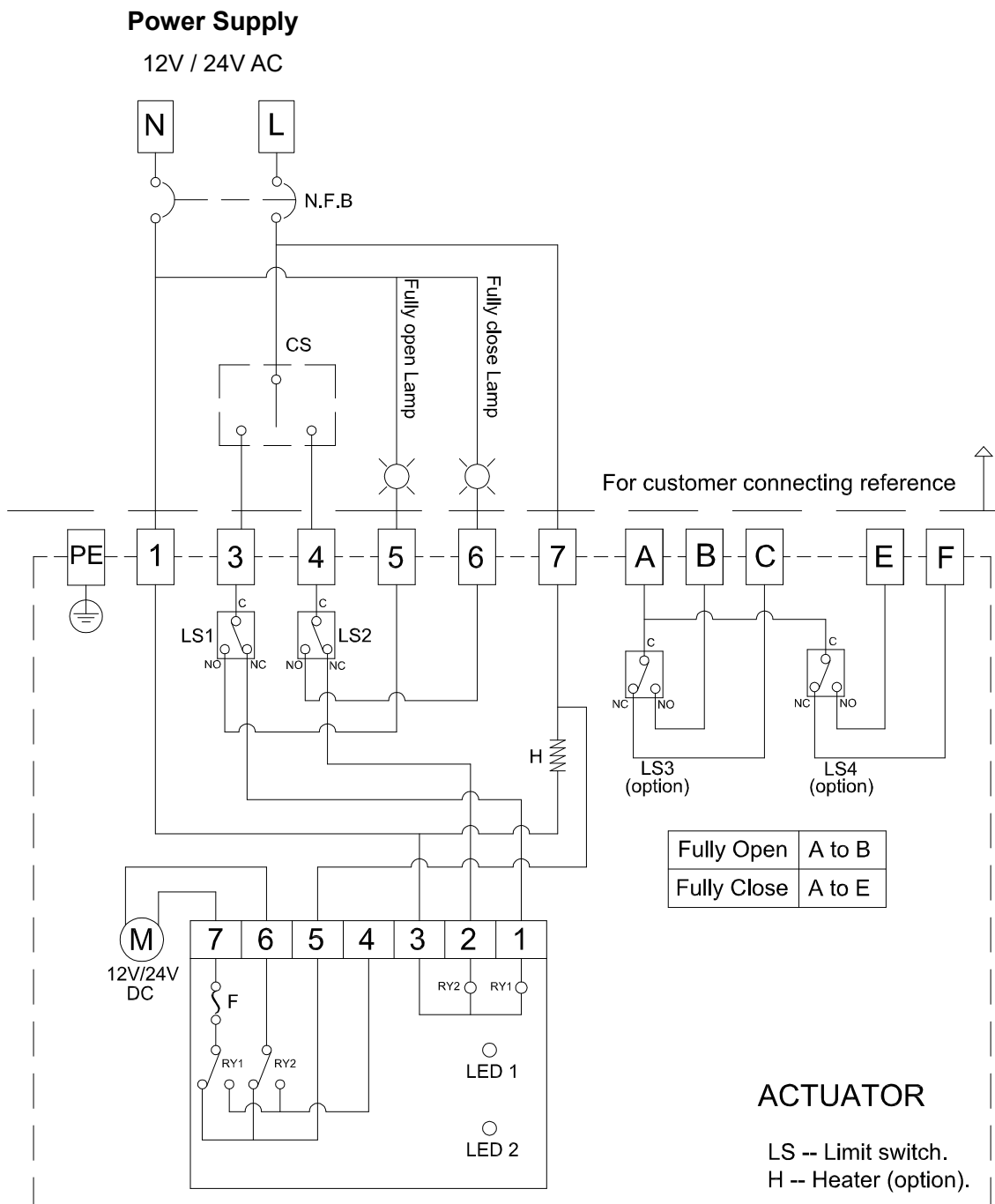
NOTE:

1. "+" connects to #1, "-" connects to #7.
2. "-" connects to #3 for "OPEN", "-" connects to #4 for "CLOSE".
3. Using less than 3A current for "A, B, C, E, F".
4. Using battery to supply power for DC units.

WIRING DIAGRAM – Quarter Turn Actuator

OM-1 , OM-A , OM-A-M 12V , 24V AC

On-Off Controller



NOTE :

1. "N" connects to #1, "L" connects to #7.
2. "L" connects to #3 for "OPEN", "L" connects to #4 for "CLOSE".
3. Using less than 3A current for "A, B, C, E, F".